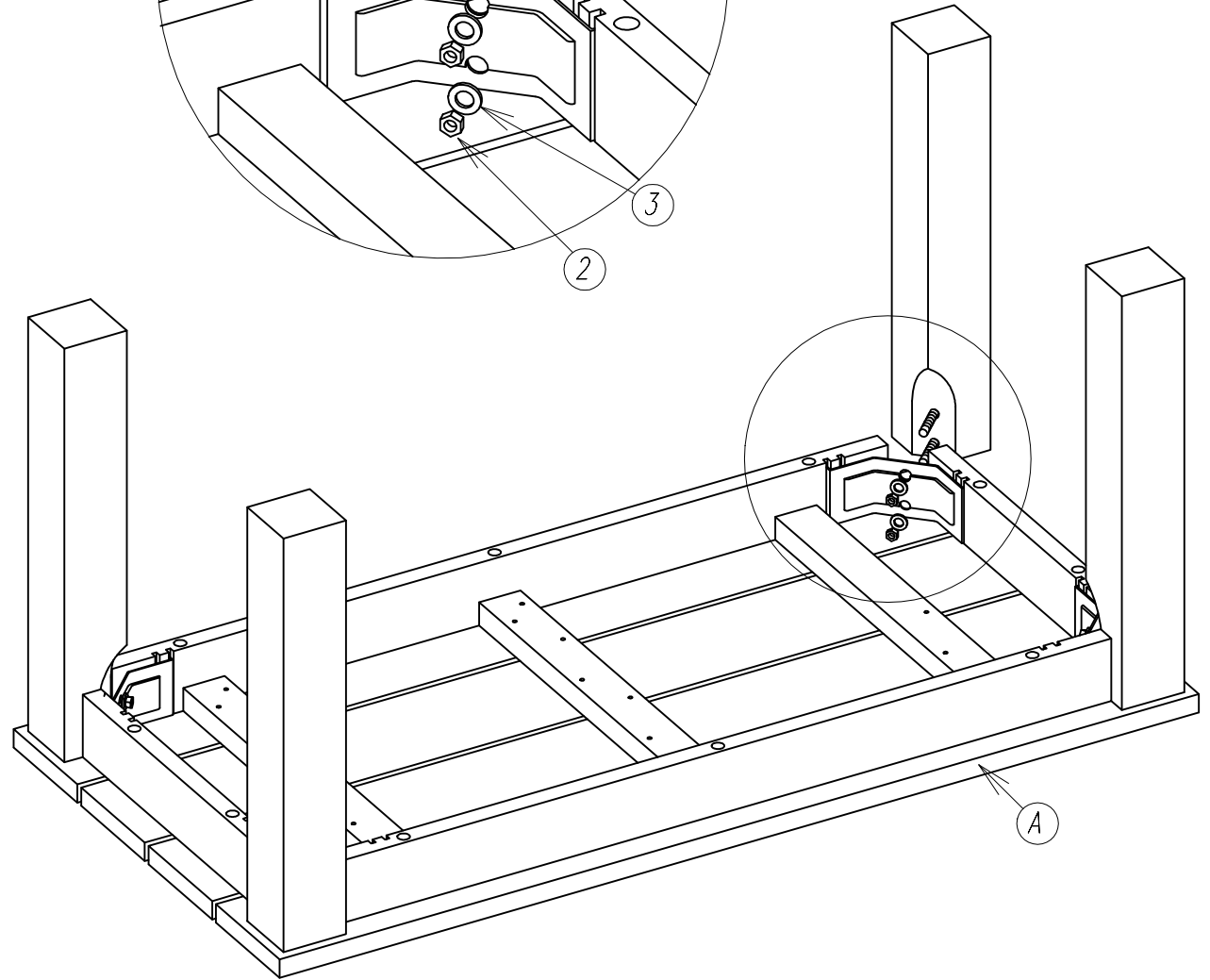
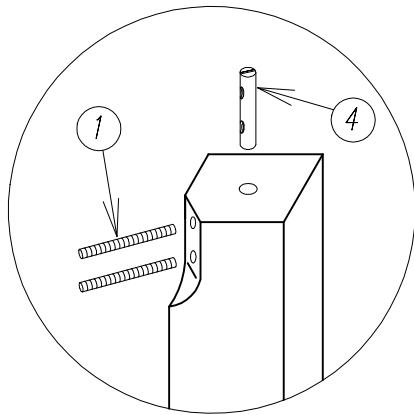
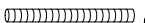


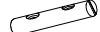


I



Part	Description	Qty
A	Table top	1
B	Leg	4
1	 M8x60	8
2	 M8	8
3	 M8	8
4	 M8x12x60/32	4